

User Manual

flash trigger for

R930

ISM 2400MHz

Note: this manual is for firmware 3.0, would be updated with the firmware updated in the future.

Version	03
Date:	June.2 2015

acon

Features & Functions:

- P-ttl High Speed Sync mode - 1/8000s capable.
- Second Curtain Sync mode
- Wired and wireless shutter release functions
- Power adjust mode
- 2.4G ISM bandwidth
- firmware upgradable
- signal strength indicated

Safety Warning:

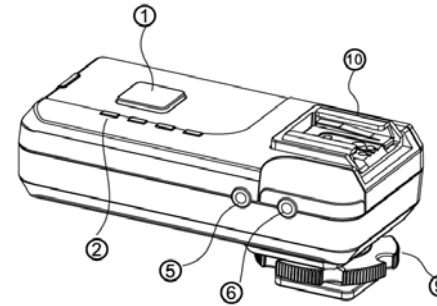
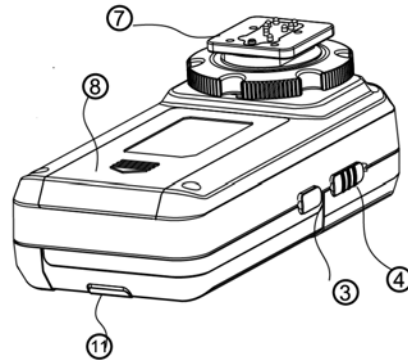
Note: Do not set the flash on the receiver in a manner that the flash might slice out the of receiver hot shoe adapter.

Do not used with High Voltage hot shoe flash.

Battery:

4 AAA battery are required to function this trigger. **When Updating Firmware, Only fresh Alkaline and Zinc-carbon are well.**

Parts:



- 1) Top button
- 2) Function LED
- 3) Side button
- 4) Power Switch
- 5) 2.5mm Output Port
- 6) Firmware Update Port
- 7) Hot shoe(Transmitter only)
- 8) Battery Compartment
- 9) Locking Ring
- 10) Hot Shoe Adaptor
- 11) Front LED

Prepare Connection:

All equipment should be turn OFF when making connections.

The powering up sequence is essential for this trigger.

Recommendation is:

- 1) Transmitter
- 2) Receiver

- 3) Flash
- 4) Camera

Power Off sequence is reversed. If needed, repower the SLR to make new connection.

AUTO Mode:

In this mode . the triggers transfer signal as they are. just as the flash set directly on the camera.

To set this mode. press the side button long. When the LED 4 blink. Then short press the side button to switch between Auto->Manual ->Remote->(undefined) mode. When LED 4 is green, long press the side key, to confirm using the auto transfer mode.

After entering the set mode (led 4 blink), the top button is used to switch between several setting. but for firmware 3.0. user only use the led 4. Please make sure that led 4 blink but not LED 1,2,3.

Manual power mode:

In this mode . user can set the flash power as he/she want it.

To set this mode. similarly as the above.

but when the LED 4 is red. long press the side key.

Then use the top key to increase flash power and side key(short press) to decrease flash power.

Wireless remote mode:

Similarly as the above. but when the led 4 red and green both ON. long press the side key to confirm mode selection.

In this mode , use the transmitter in your hand as controller. Plug the 2.5mm cable to connect the camera 2.5mm slot and the 'camera' slot of the receiver.

TTL pass through:

Although not recommended. due to mounting up the flash and transmitter on a SLR made more unstable structure. User can do this for some cases. before using this. make sure the power of the transmitter is off.

Update Firmware:

To update firmware Please read the manual of the acon firmware update utility , which you can down load from acon official site.

Wire control mode:

Power off the trigger. Plug the 2.5mm cable to connect the camera 2.5 mm slot and the 'camera' slot of the receiver(or the transmitter)

Electronic Contact:

For AF360II AF540II, which use metal hot shoe. be careful that the flash fix firmly on the receiver. user may need to turn the flash tighter to make the connect touch OK if it is loose or poor contact. Try turn the flash on the receiver hot shoe adapter around a little.

When using with Pentax SLR, The locking ring of the transmitter need not tight too firmly, this might cause connection pins untouched.

IMPORTANT: We suggest that user check everything OK by turn the lens focus to see the lamp inside the flash moving. also see the distance showed on the flash screen.

Trouble shooting:

No action

- 1) power switch turn to ON?
- 1) battery isn't out of power?
- 2) Battery pole is OK?
- 3) Transmitter front LED not blink? check the hot shoe connection. loose the Locking ring..
- 4) Repower SLR to remake connection.

Misfire

- 1) Poor hot shoe connection?
- 2) Normal communication OK?
- 3) LED 1 on transmitter blink too many (signal too weak due to obstacle or interference) ?

Exposure mistake

- 1) Mode set to manual power mode?
- 2) Setting made on the SLR root?

Warranty:

This product is warranted against defects in materials or workmanship for one (1) year from the date of original purchase. It does not cover damages or wear resulting from accident, misuse, abuse, commercial use, or unauthorized adjustment and/or repair.

Should this product require service (or replacement at our option) while under warranty, do not return to retailer. Please pack the item carefully and return it prepaid, along with a store receipt showing date of purchase and a note explaining reason for return to:

acon international Corp, Ltd
21H, LuShan Building
Luohu District
Shenzhen, China 518000
www.acon-photo.com

There are no express warranties except as listed above. This warranty gives you specific legal rights, and you may have other rights which vary from state to state.