

02 STANDARD ZOOM (5-15mm F2.8-4.5)

OPERATING MANUAL

Thank you for purchasing a PENTAX lens.

This lens is an interchangeable lens specifically designed for the PENTAX digital cameras with the Q-mount.

Please read this operating manual carefully before using the lens to ensure that it is used properly. In addition, also refer to your camera operating manual.

- Illustrations shown herein may differ from the actual appearance.

Specifications and external dimensions are subject to change without notice. Refer to your camera operating manual for details about mounting and removing the lens.

Copyright © PENTAX RICOH IMAGING COMPANY, LTD. 2011
R03BAL11 Printed in Philippines

58234

Precautions When Using the Lens

■ Storage and mildew prevention

- Take the lens out of the protective case or camera bag, and store it in a dry, well-ventilated place.
- Avoid storing the lens in a poorly ventilated place such as a closet, wardrobe, drawer, vehicle, or where insect repellent or medicine is kept.
- Avoid storing the lens in areas of high temperature and humidity, where there is a risk of mildew growth. Store the lens with a desiccant (anti-mildew agent) in a dry cabinet, airtight container, or plastic bag.

■ Precautions and lens maintenance

- Never use any organic solvent such as thinner, alcohol, or benzine, etc. to remove dust on the lens.
- The lens is a precise optical instrument. Be careful not to let it fall, or subject it to strong shocks or pressure. Use a cushion or similar pad to protect the lens from the vibrations of motorcycles, automobiles, boats, etc.
- Avoid subjecting the lens to rapid changes in temperature, otherwise condensation can occur on both inside and outside of the lens. Put the lens in a plastic bag or camera bag, and take it out after the lens temperature reaches the ambient level.
- When the lens is not attached to the camera body, attach both the supplied lens cap and lens mount cover to protect it from dust.
- Do not leave the camera with the lens cap off attached to a tripod or other rigid camera support. The inner parts of the camera can be damaged by direct sunlight.

- Have the lens inspected by a dealer every one or two years to maintain its high performance.

FOR SAFE USE OF YOUR LENS

Although we have carefully designed this lens for safe operation, please pay special attention to items marked with the following symbols when using the lens.

⚠ Warning This symbol indicates precautions that if not followed, could result in serious injury to the user.

⚠ Caution This symbol indicates precautions that if not followed, could result in minor or medium injury to the user or damage to the equipment.

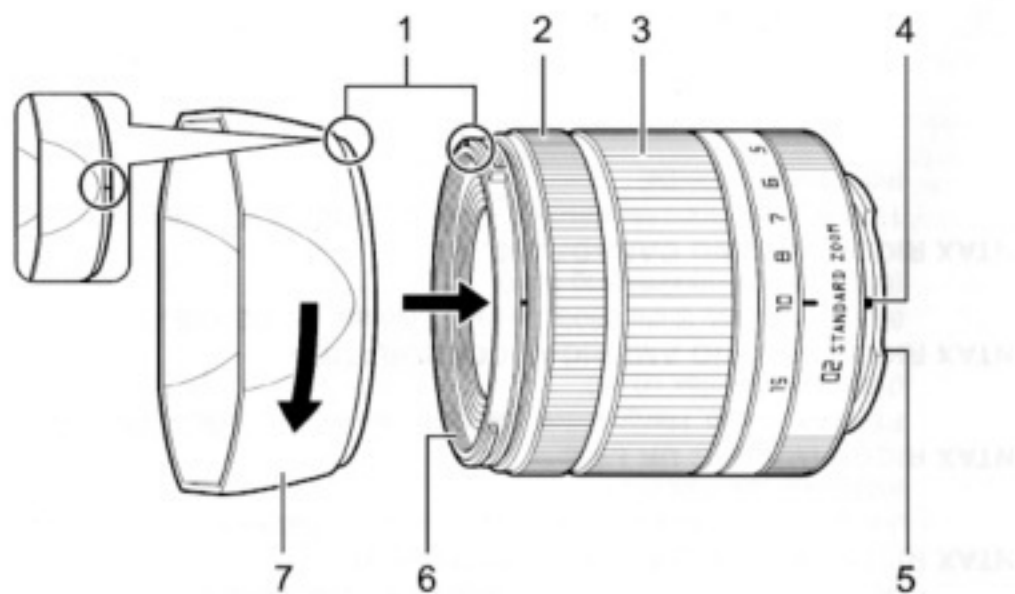
⚠ Warning
Never look at the sun through the lens. Serious damage to your eyes or total loss of eyesight may occur.

⚠ Caution
Do not leave the lens in direct sunlight without a lens cover or lens cap. Direct sunlight passing through the lens will be intensified, and should it focus on flammable materials, fire may occur.

Main Specifications

Focal length	5-15mm (equivalent to approx. 27.5-83.0mm in 35mm format)
Elements in groups	8-7
Angle of view	76.0°-29.0°
Aperture	F2.8-4.5
Mount type	Q-mount
Minimum focus distance	0.3m (0.98ft)
Maximum magnification	Approx. 0.06x
Filter size	40.5mm
Lens hood	PH-SBA 40.5mm (optional)
Max. Diameter x Length	48.5mm x 48.0mm (1.9in x 1.9in)
Weight	Approx. 96g/3.4oz.
Remarks	Built-in leaf shutter, Built-in ND filter

Names of Parts



- | | | |
|-----------------------------|---------------------|------------------------|
| 1 Lens hood attaching index | 4 Mounting index | 7 Lens hood (optional) |
| 2 Focusing ring | 5 Lens mount | |
| 3 Zoom ring | 6 Front-ring thread | |

■ How to Attach the Lens Hood (optional)

Align the index on the lens hood with the attaching index on the lens, and push both parts straight toward each other. Attach the lens hood on the lens by turning the hood in the clockwise direction, as viewed from the front of the lens, to lock it until it clicks into position.

- * When the lens hood is not in use, it can also be turned around and attached in the reversed position.
- * To attach and detach the lens hood, hold the side with the lens hood attaching index.

■ About the Lens Mount

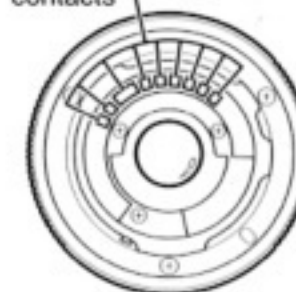
This is the Q-mount specifically designed for the PENTAX digital cameras.

With the lens information contacts, this lens mount enables autofocus and autoexposure.

CAUTION

Be careful not to damage or dirty the lens mount surface as this could result in failure or malfunction.

Lens information contacts



Focusing

Refer to your camera operating manual regarding how to focus.

■ Using the Quick-shift Focus System

You can focus manually after autofocus is performed. Just turn the focusing ring to manually adjust the focus.

You can do this without switching the focus mode to MF.

<How to take pictures>

1. Using autofocus.
2. Hold down the shutter release button halfway, then turn the focusing ring to finely adjust the focus.
3. Finally, press the shutter release button fully to take a picture.

CAUTION

- You must set the camera's Autofocus Method to a method that can lock the focus in advance to use the Quick-shift Focus System.
- Keep pressing the shutter release button after you achieve proper focus and before taking a picture. If you let the shutter release button go before taking a picture, autofocus will operate again when you press the shutter release button again.

Filters

- Screw a commercially available 40.5mm diameter filter onto the front of the lens.
- Since a filter becomes a part of the optical system when attached to the lens, handle it with due care to protect it from dust, dirt and scratches.

For customers in USA

STATEMENT OF FCC COMPLIANCE

This device complies with Part 15 of the FCC Rules. Operation is subject to the following two conditions: (1) This device may not cause harmful interference, and (2) this device must accept any interference received, including interference that may cause undesired operation.

Changes or modifications not approved by the party responsible for compliance could void the user's authority to operate the equipment.

This equipment has been tested and found to comply with the limits for a Class B digital device, pursuant to part 15 of the FCC Rules. These limits are designed to provide reasonable protection against harmful interference in a residential installation. This equipment generates, uses and can radiate radio frequency energy and, if not installed and used in accordance with the instructions, may cause harmful interference to radio communications. However, there is no guarantee that interference will not occur in a particular installation. If this equipment does cause harmful interference to radio or television reception, which can be determined by turning the equipment off and on, the user is encouraged to try to correct the interference by one or more of the following measures :

- Reorient or relocate the receiving antenna.
Increase the separation between the equipment and receiver.
Connect the equipment into an outlet on a circuit different from that to which the receiver is connected.
*Consult the dealer or an experienced radio/TV technician for help.

For customers in Canada

This Class B digital apparatus complies with Canadian ICES-003.
Cet appareil numérique de la classe B est conforme à la norme NMB-003 du Canada.



The CE Mark is a Directive conformity mark of the European Union.

PENTAX RICOH IMAGING COMPANY, LTD.

2-35-7, Maeno-cho, Itabashi-ku, Tokyo 174-8639, JAPAN
(<http://www.pentax.jp>)

PENTAX RICOH IMAGING FRANCE S.A.S. (European Headquarters)

112 Quai de Bezons, B.P. 204, 95106 Argenteuil Cedex, FRANCE
(HQ - <http://www.pentax.eu>) (France - <http://www.pentax.fr>)

PENTAX RICOH IMAGING DEUTSCHLAND GmbH

Julius-Vosseler-Strasse 104, 22527 Hamburg, GERMANY
(<http://www.pentax.de>)

PENTAX RICOH IMAGING UK LTD.

PENTAX House, Heron Drive, Langley, Slough, Berks SL3 8PN, U.K.
(<http://www.pentax.co.uk>)

PENTAX RICOH IMAGING AMERICAS CORPORATION

633 17th Street, Suite 2600, Denver, Colorado 80202, U.S.A.
(<http://www.pentaximaging.com>)

PENTAX RICOH IMAGING CANADA INC.

1770 Argentia Road Mississauga, Ontario L5N 3S7, CANADA
(<http://www.pentax.ca>)